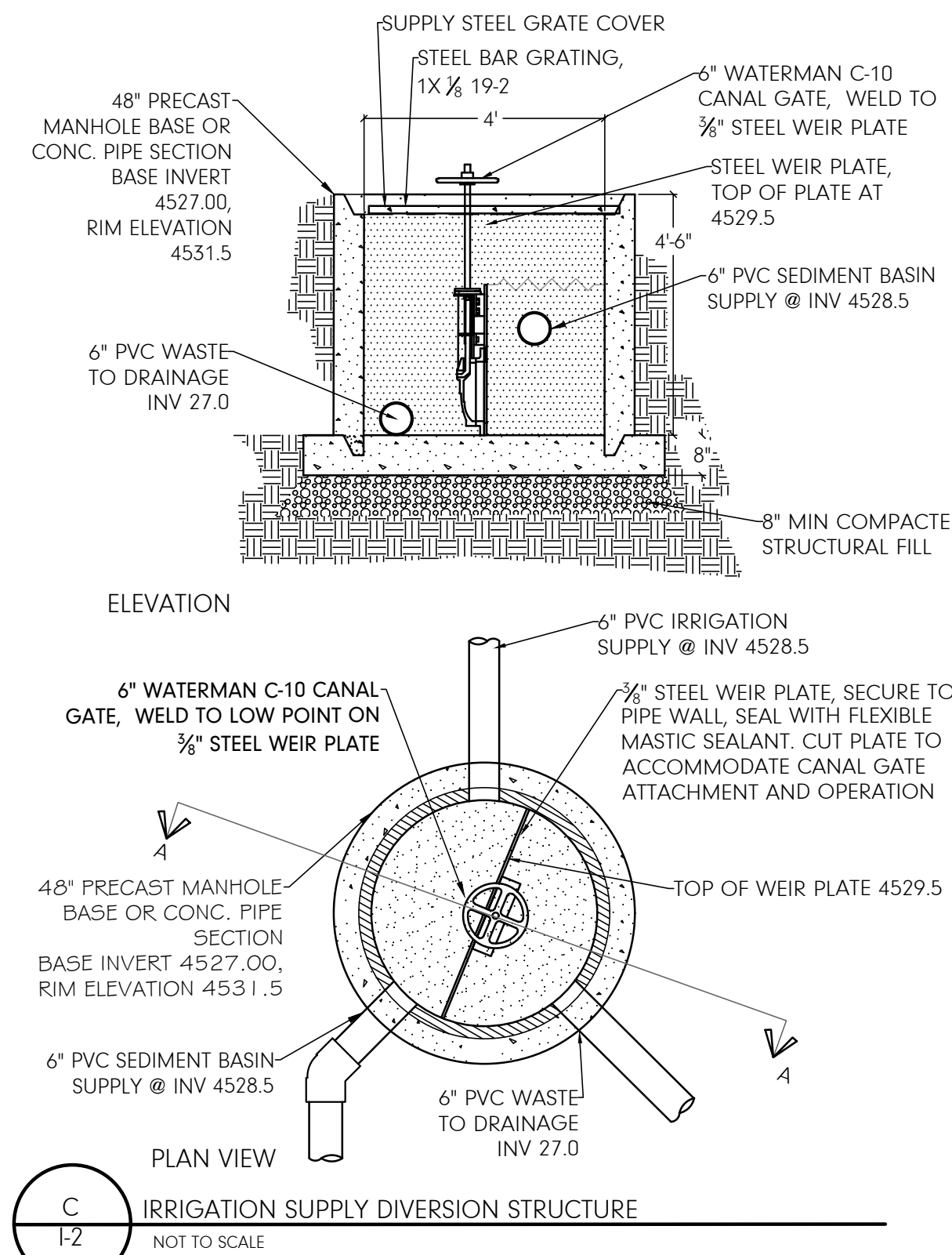


DIVERSION STRUCTURE WITH FLOW METER OPERATION:

1. CLOSE CANAL GATE TO FILL DIVERSION STRUCTURE. ADJUST 4" GATE VALVE TO REGULATE FLOW TO ADJACENT PROPERTY BY OBSERVING FLOW METER. DEPTH OF DIVERSION STRUCTURE WILL PROVIDE PRESSURE TO ALLOW UP TO 130 GPM
2. OPEN CANAL GATE TO SUPPLY MINIMUM IRRIGATION QUANTITY TO INSURE FRUITA COPPER SUPPLY
3. OPEN CANAL GATE FOR WINTERIZATION AND MAINTENANCE



IRRIGATION SEDIMENT BASIN

DESIGN INTENT

THIS IRRIGATION SEDIMENT BASIN IS DESIGNED TO PROVIDE A VOLUME OF WATER NEEDED FOR IRRIGATION OF THE LANDSCAPE, WHILE COLLECTING SEDIMENT. THIS IS MOST EFFECTIVELY ACCOMPLISHED BY:

1. ALLOWING IRRIGATION WATER TO PASS SLOWLY THROUGH THE BASIN AND DROP THE MAJORITY OF SEDIMENT IN THE BASIN BEFORE PASSING INTO THE POND & PUMP.
2. FILLING THE SEDIMENT BASIN ONLY WHEN THE SEDIMENT BASIN LEVEL DROPS-EITHER THROUGH USE OR EVAPORATION.

SEDIMENT BASIN OPERATION

DAILY OPERATION:

1. FOR NORMAL OPERATION, SEDIMENT BASIN SUPPLY AND POND SUPPLY VALVES ARE TO BE IN THE OPEN POSITION, BASIN FLUSH VALVE IS TO BE CLOSED.
2. IRRIGATION WATER ENTERS THE BASIN THROUGH THE 6 INCH SUPPLY LINE. AS THE SEDIMENT BASIN FILLS, IRRIGATION SEDIMENT IS DROPPED TO THE BOTTOM OF THE BASIN AS WATER PASSES THROUGH THE BASIN TO THE POND.
3. THE DEPTH OF THE WATER IN THE SEDIMENT BASIN IS CONTROLLED BY A WEIR IN THE DIVERSION STRUCTURE NORTH OF THE SEDIMENT BASIN. THE CANAL GATE IN THAT DIVERSION STRUCTURE MUST BE CLOSED FOR THE SEDIMENT BASIN TO FILL. IF IRRIGATION WATER IS AVAILABLE, THE SEDIMENT BASIN AND POND WILL BE FILLED AS WATER IS PUMPED THROUGH THE IRRIGATION SYSTEM OR EVAPORATION LOWERS THE LEVEL OF THE POND.

MONTHLY MAINTENANCE:

1. CLOSE POND SUPPLY VALVE TO ISOLATE POND FROM SEDIMENT BASIN CLOSE SEDIMENT BASIN SUPPLY VALVE.
2. REMOVE AS MANY OF THE STEEL GRATES THAT ARE NEEDED TO ALLOW ACCESS TO THE INTERIOR OF THE SEDIMENT BASIN
3. OPEN SEDIMENT BASIN FLUSH TO WASH, AGITATE SEDIMENT AS BASIN EMPTIES OR USE VAC TRUCK TO REMOVE SILT.
4. CHECK PUMP FOOT VALVE AND SUCTION LINE, CLEAN AS NECESSARY.
5. CHECK FILTER SCREENS, CLEAN AS NECESSARY
6. REPLACE SQUARE STEEL GRATES ON TOP OF SEDIMENT BASIN FOR SAFETY.
7. RETURN SUPPLY VALVES TO OPERATING POSITION DURING IRRIGATION SEASON.

